

# **READ ME FIRST**

**TECHNICAL SUPPORT  
1-800-FORD-KEY  
CANADIAN DEALERS  
BILINGUAL FRENCH/ENGLISH  
TECHNICAL SUPPORT  
(514)973-2846**

For convenience this document uses short names when referring to a particular system or kit. The list below identifies the short names used herein:  
Remote Start System —> **RMST**

Navigating this document can be accomplished by: 1) using the buttons in the Acrobat toolbar or 2) clicking on the bookmark links in the bookmark pane to the left. (Clicking on the (+) symbols next to a bookmark will expand that bookmark, revealing additional selections).

This installation instruction covers the installation of all Remote Start Kits.

**Vehicle wiring is subject to change. All possible efforts have been taken to ensure that the information contained herein is accurate as of the revision dates indicated. As such, it is critical that vehicle circuits are tested prior to making any connections, to ensure that the proper vehicle circuit has been located.**

Prior to beginning this installation it is recommended that you lower the driver's door window to prevent locking the keys in the vehicle.

Prior to beginning your first installation of this product it is recommended that you:

1. Thoroughly review and print out the instructions;
2. Review the reference section to become acquainted with the additional information that is available.
3. Go through the vehicle specific wiring and use as a reference during the installation.
4. Review the installation video on the Ford Genuine Accessory website that is located with the RMST Installation Instructions.

## Ford Accessory Vehicle Security, Keyless Entry and Remote Start Warranty Return Procedures

### **DO NOT CLAIM PARTS WARRANTY ON FORM 1863**

#### Parts Warranty Processing:

Lifetime limited coverage to original purchaser on all components against defects and workmanship. (For complete Warranty details, please refer to the warranty section found at the rear of each Security or Remote Start systems Owners Manual) Contact the warrantor, Code Systems for return authorization/replacement approval for failed components at no charge by the manufacturer. Return of Components to Code Systems requires the following:

1. Dealer/FAD representative must call the Ford Vehicle Security System Dealer Warranty Department at 1-800-FORDKEY (1-800-367-3539) to obtain generic claim form.
2. Fill out claim form and identify the defective component, **not the entire kit**, and fax to 1-631-231-5785.
3. Dealer/FAD will receive via fax the claim form with RA number authorizing the return of defective components.
4. Dealer/FAD is to box the defective component (including a copy of the claim form) with the claim number clearly written on the package(s) and ship them freight pre-paid to:

Ford Service Parts  
180 Marcus Blvd.  
Hauppauge, NY 11788

**Note:** If the package is sent without a claim number/claim number visible on the outside of the package, the shipment will be refused and returned at sender's expense.

5. Once a tracking number for the returning component has been issued to Code Systems, replacement components will be shipped within 24 hours via regular UPS ground transportation.
6. Dealer/FAD is responsible for service parts not returned/received by the Warranty Service Center within 30 days of the original claim date. Post the 60 days; the Dealer/FAD will be liable for all non-returned components at service part pricing.

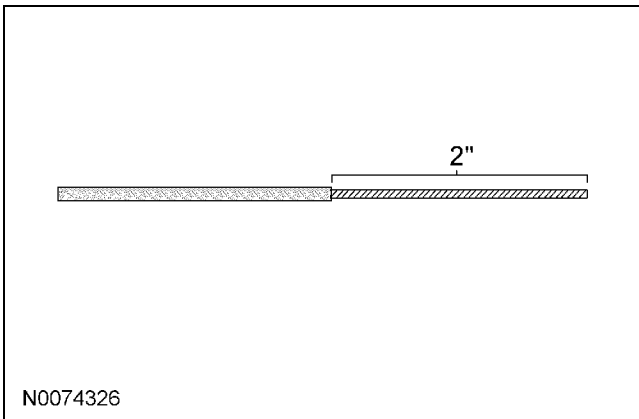
Removal and reinstallation labor may be reimbursable under the New Vehicle Limited Warranty or 12-month/12,000 mile warranty (which ever is greater) and must be submitted by filling a warranty claim through ACES II.

## GENERAL PROCEDURES

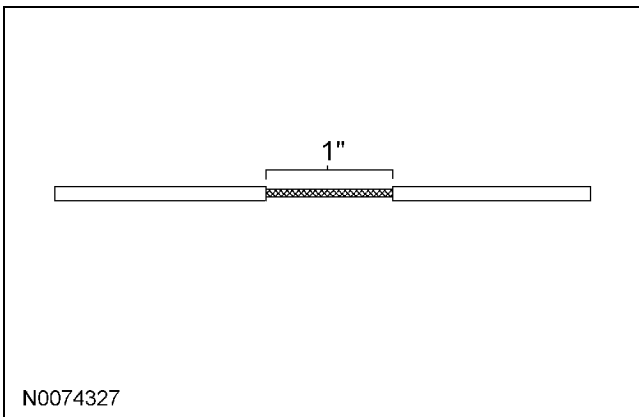
### Proper Splicing Techniques

**NOTE:** Follow this procedure when a wire can be spliced without cutting the wire in half.

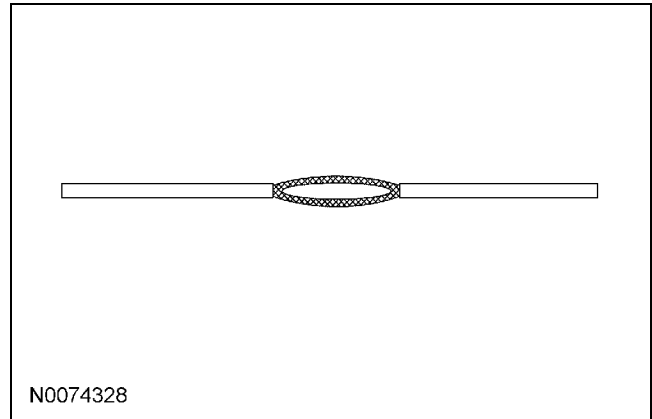
1. Strip approximately two inches of insulation from the wire to be installed in the vehicle.



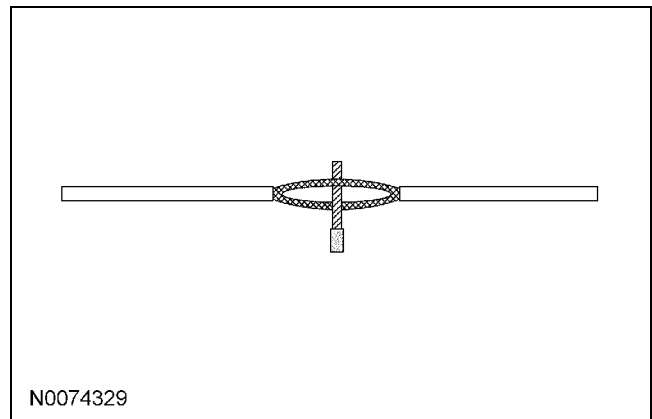
2. On the vehicle wire to be spliced into, strip one inch of insulation from the wire.



3. On the vehicle wire to be spliced into, separate the strands to allow the new wire to be placed between the parted strands of wire.

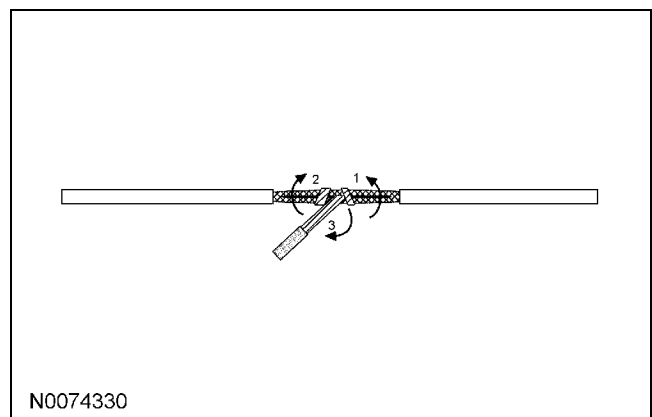


4. Insert the new wire between the parted strands. If more than one wire is being spliced, wrap them in opposite directions.



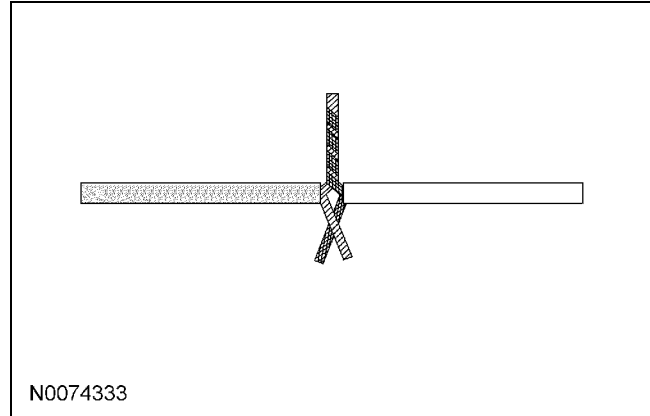
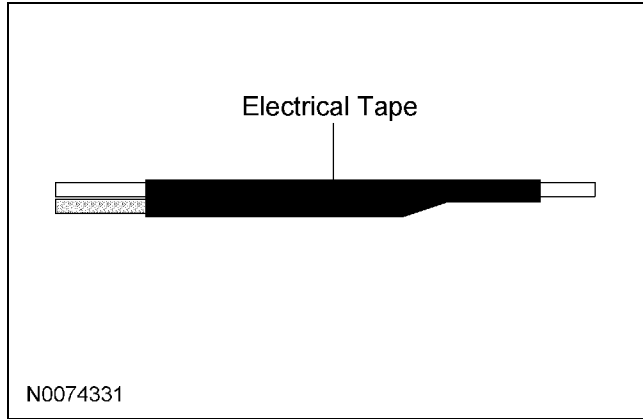
**NOTE:** Use Rosin Core Mildly-Activated (RMA) Solder. Do not use Acid Core Solder.

5. Wrap the new wire around one side of the split strands, then wrap it around the other side.
  - Solder the connection.



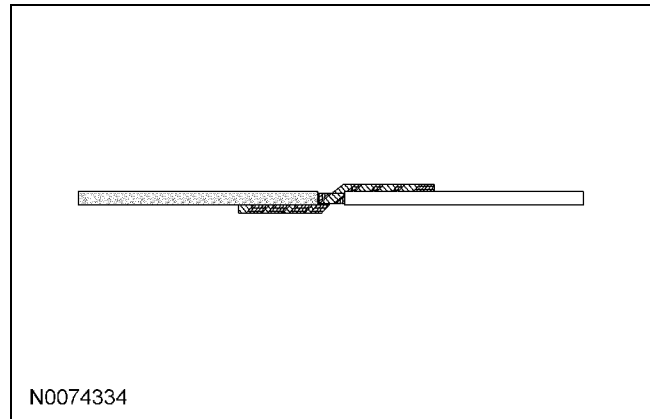
**GENERAL PROCEDURES (Continued)**

6. Wrap the connection with electrical tape so the tape covers the wires approximately two inches on either side of the connection.
  - Tape the wires together as shown in the illustration.



**NOTE:** Use Rosin Core Mildly-Activated (RMA) Solder. Do not use Acid Core Solder.

3. Lay the upper strand of wire to one side, then lay the lower strand of wire to the other side as shown in the illustration.
  - Solder the wires together.

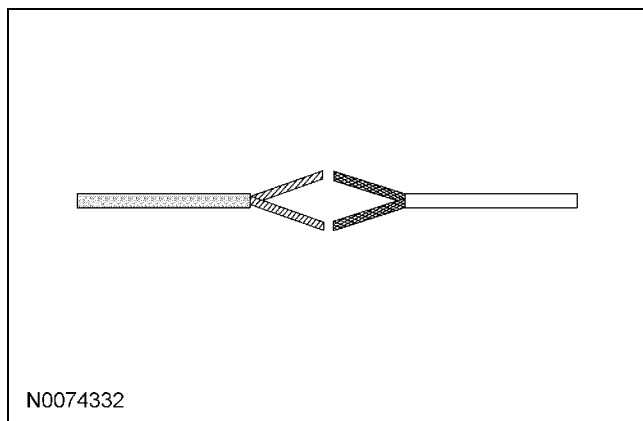


**Splicing End to End Connections**

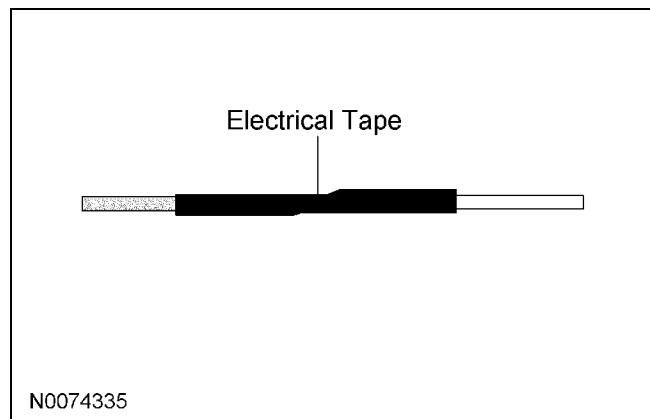
**NOTE:** When both ends of the wire are cut, use the end to end wire splicing procedure.

**NOTE:** Follow the steps below for end to end wire splicing.

1. To make an end to end connection, start by stripping one inch of insulation from each of the wires. Part each wire into equal strands as shown in the illustration.



4. Wrap the connection with electrical tape so the tape covers the wires approximately two inches on either side of the connection.



2. Place the wires next to each other and twist the upper and lower strands together as shown.

## User Preferences

### Adding 2-Way Remote Controls to Your System

**NOTE:**

The system has the ability to operate from up to eight (8) 2-way remote controls. Follow these instructions to add a remote control to your system.

**NOTE:**

The vehicle should be in "park" while performing this procedure.

1. Open the driver's door and enter the vehicle.
2. Press and hold the brake pedal.
3. Turn the vehicle ignition to the ON position and then to the OFF position 6 times, ending in the ON position (On, Off, On, Off, On, Off, On, Off, On, Off, On, Off, On).  
The horn will chirp three (3) times. This indicates that the unit has entered the remote control programming mode.
4. Release the brake pedal.
5. Press the start button on the 2-way remote control to be programmed. The horn will sound once, indicating that the system has "learned" that remote control.
6. Repeat step 5 for any additional remote controls.
7. Turn the vehicle ignition off to exit the programming mode. Test all 2-way remote controls to ensure that they work properly.

### Optional Activation Methods - Single Press & Hold / Double Press

**NOTE:**

The 2-Way Remote Start and Vehicle Security System comes pre-programmed to start the vehicle when the start button on the 2-way remote transmitter is pressed 2 times. The 2-Way Remote Start and Vehicle Security System may be programmed to activate by pressing and holding the start button on the 2-way remote transmitter by following these instructions.

1. Open the driver's door and enter the vehicle, close driver's door.
2. Ensure vehicle is in Park and the brake pedal is not depressed.
3. Turn the vehicle ignition to the ON position.
4. Press the start button on the 2-way transmitter 3 times within 5 seconds. The horn will chirp 1 time, indicating that the remote start system will now start with a "Press and Hold".
5. Turn the vehicle ignition to the OFF position to exit the programming mode.
6. Repeat steps 1 - 5 to return the vehicle to the factory setting.
  - 1 chirp = Press and Hold to start.
  - 2 chirps = Double Press to start.

---

## GENERAL PROCEDURES

### Shock Sensor Setting

#### Remote Start with Keyless Entry and Security System

**NOTE:** Control modules with an alarm feature contain one internal shock sensor with a Lite Touch and Full Shock settings. When the vehicle is armed, the force which sounds the horn due to impact is determined by the Lite Touch setting. When the vehicle is armed, the force at which sounds the alarm due to impact is determined by the Full Shock setting.

**NOTE:** The Full Shock Level should always be less sensitive than the Lite Touch Level.

1. Close the driver door and turn the ignition key to the ON position.
  2. Press and hold the override button until the horn honks.
  3. Press and hold the override button until the horn honks four times. This is option bank 1.
  4. Select the first option in option bank 1, which is the Lite Touch adjustment programming option. Press button 3 on the key fob.
  5. To test and adjust the current sensitivity level, start by tapping on the outer rim of the steering wheel with the palm of your hand, gradually increase the force of the taps until the horn honk is detected. this should be set to honk at a light to medium impact level. To adjust the level, press Unlock on the key fob to decrease the sensitivity or press Lock to increase the sensitivity.
  6. Turn the ignition key to the OFF position.
  7. Arm the system and check the new settings.
-

# F ? 9 # J G G # F 9 A C H 9 ' G H 5 F H ' G M G H 9 A ' B G H 5 @ @ 5 H C B

## CONTENTS

### VEHICLE PREPARATION

- Hood Switch Kit Installation

### INSTALLATION

- RKE/VSS/Remote Start

### GENERAL PROCEDURES

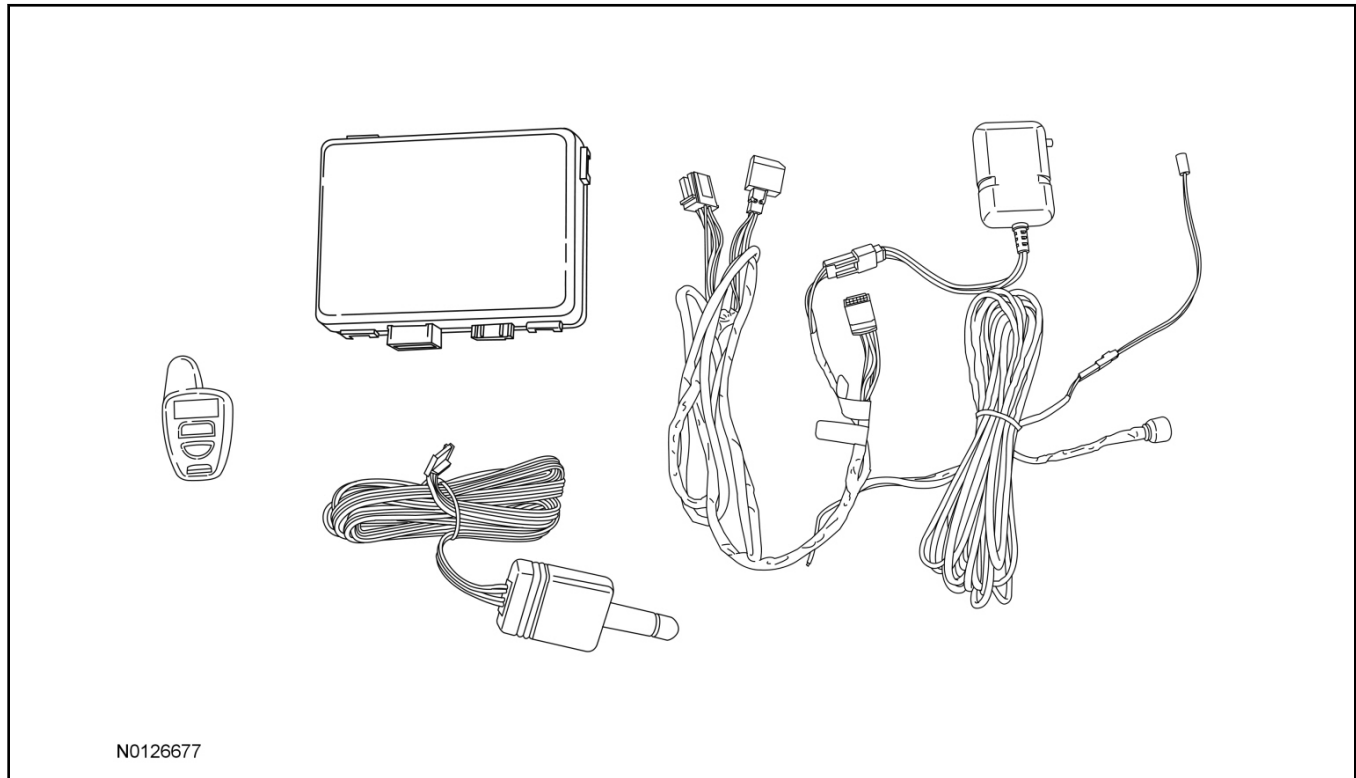
- Remote Start System Activation

- Functional Test

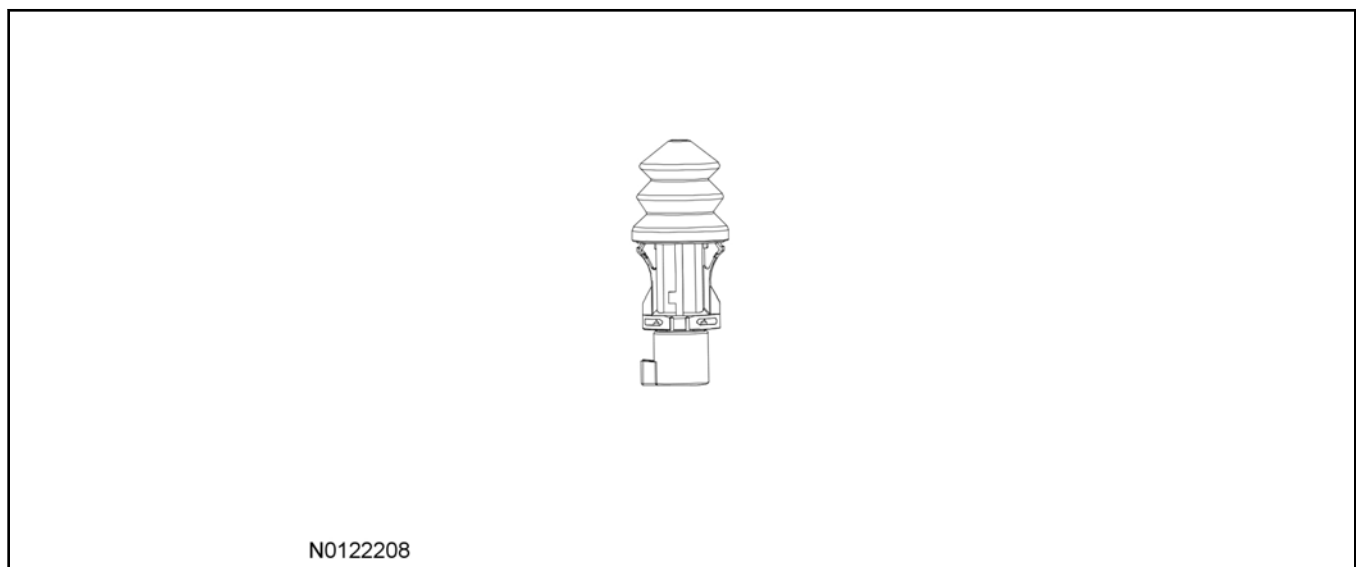
**INSTALLATION**

**Remote Start System/Vehicle Security**

**Remote Start System/Vehicle Security (RMST/VSS) Components**



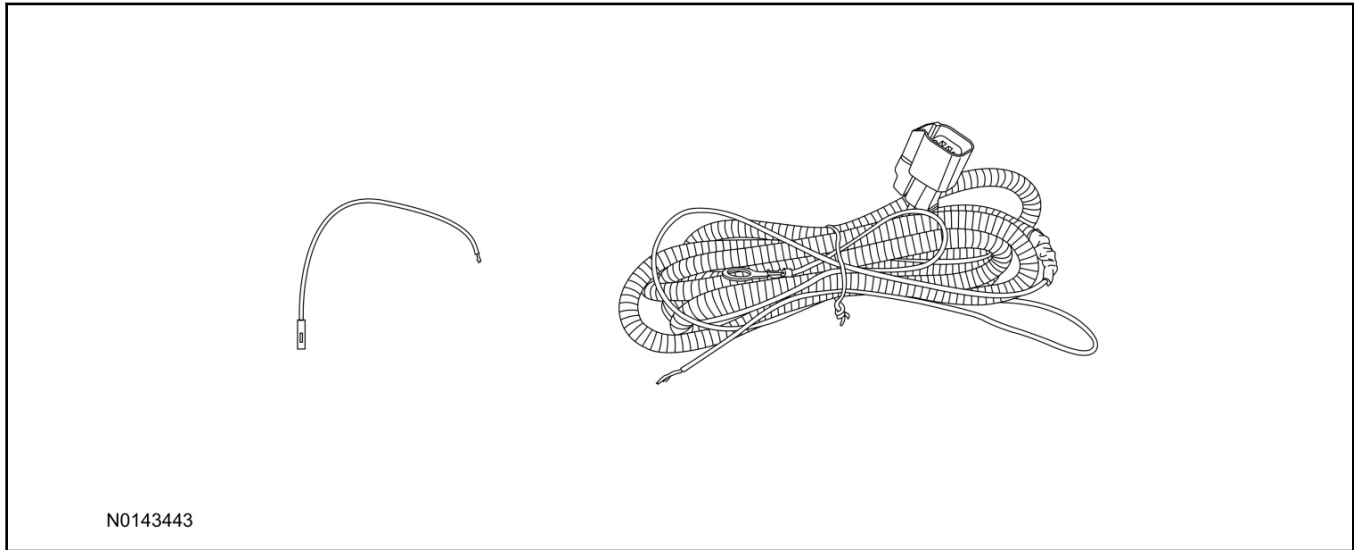
**Hood Switch Kit - SE Vehicles Only**





**INSTALLATION (Continued)**

**Hood Switch Wire Harness Kit - SE Vehicles Only**



**Taurus - Key Start**

1. Verify correct kit number.

**Review The Remote Start System/Vehicle Security (RMST/VSS) Installation Kit Contents**

2. Review the RMST/VSS kit contents.

**Remote Start System/Vehicle Security (RMST/VSS) kit**

| QUANTITY | DESCRIPTION                                     |
|----------|---|
| 3        | DK f kt ge vk qpcn Mg { 'Hqd                    |
| 1        | Remote Start Module                             |
| 1        | Bi-directional Antenna                          |
| 1        | Remote Function Actuator (RFA) Module T-Harness |
| 1        | Shock Sensor                                    |
| 1        | LED   |

**Review Hood Switch Kit Contents**

3. Review the Hood Switch kit contents.

**Hood Switch Kit**

| QUANTITY | DESCRIPTION          |
|----------|----------------------|
| 1        | Hood Switch Assembly |

**Review Hood Switch Wire Harness Kit Contents**

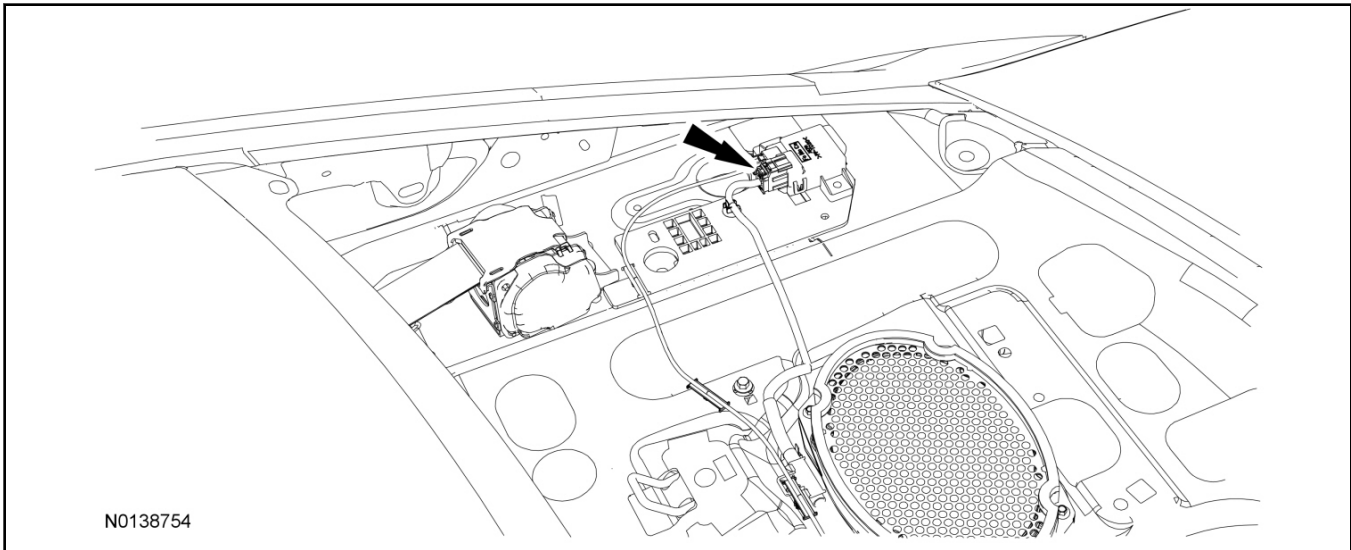
4. Review the Hood Switch kit contents.

**INSTALLATION (Continued)****Hood Switch Wire Harness Kit**

| QUANTITY | DESCRIPTION                             |
|----------|---|
| 1        | Body Control Module (BCM) Terminal Wire |
| 1        | Hood Switch Wire Harness                |

**Vehicle Preparation**

5. Verify that an OE hood switch is installed.
  - If the vehicle is not equipped with a OE hood switch, refer to Hood Switch Installation in this procedure.
6. Remove the parcel shelf. For additional information, refer to Workshop Manual (WSM), Section 501-05.
7. Disconnect the Tire Pressure Monitor (TPM) Module, located on the passenger's side of the vehicle near the rear window.

**Antenna Mounting****NOTE:**

For good range of operation, the antenna must be installed correctly.

**NOTE:**

Keep these points in mind when mounting the antenna.

- Do not mount the antenna behind or on any metal film or window tinting.
- Do not mount the antenna so that one of the antenna elements touches or crosses any vehicle wiring and/or metal.

8. Clean the mounting surface using an alcohol base solution and a clean cloth.

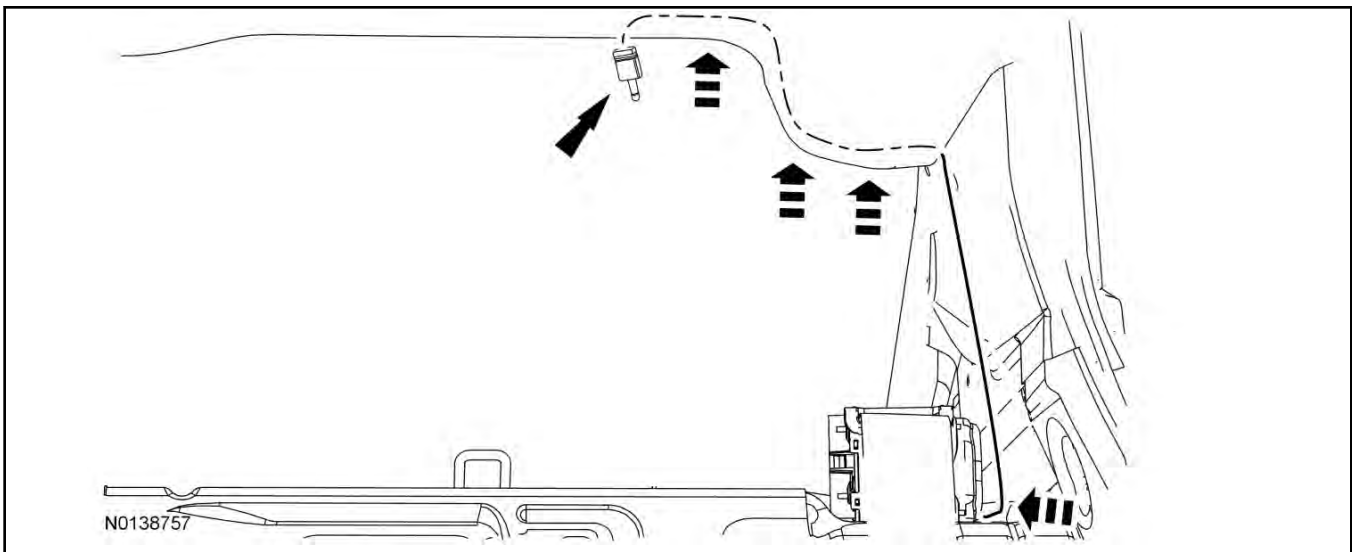
**NOTE:**

Do not touch the adhesive, reduced adhesion may result.

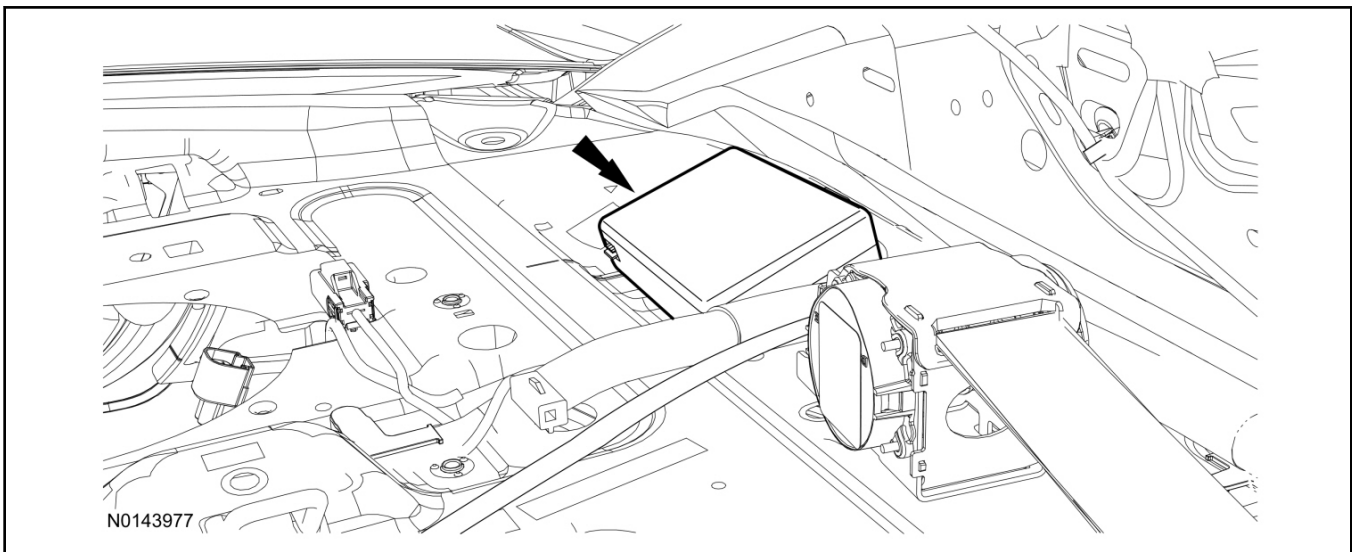
**INSTALLATION (Continued)****NOTE:**

Make sure that the long wire on the antenna is pointing towards the top of the rear window, This wire will be routed along the headliner.

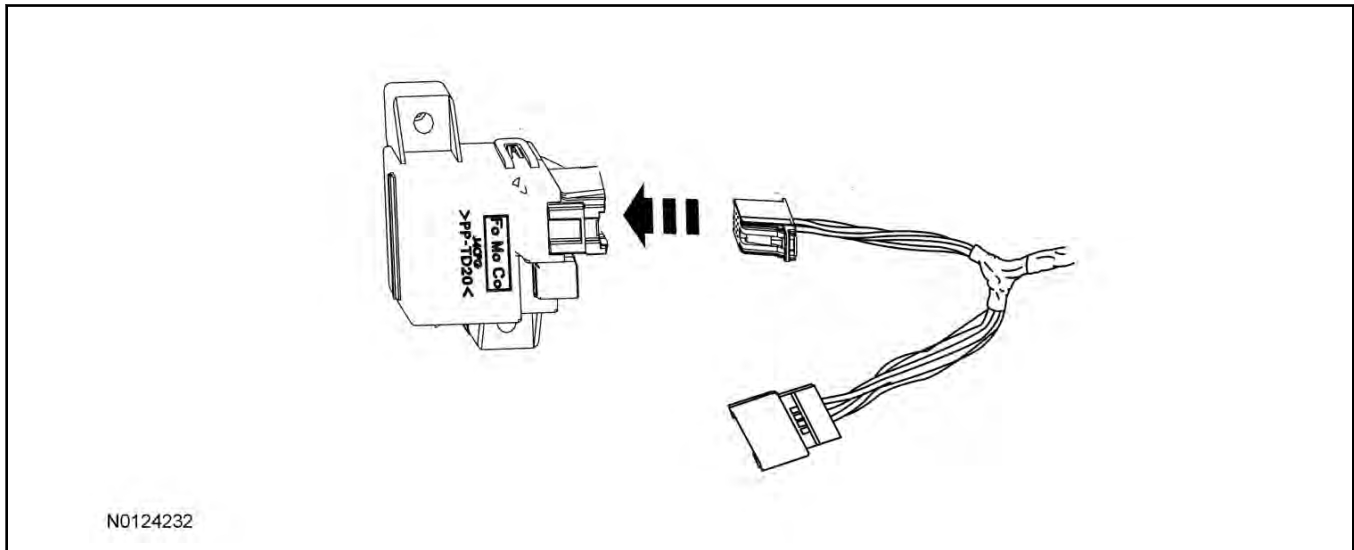
9. Install the antenna onto the rear window.
  - 1 Remove the protective backing from the adhesive on the antenna and firmly press the body of the antenna to the rear window.
  - 2 Route the antenna harness inside the headliner to the C-pillar. Route down the C-pillar.
  - 3 Secure the antenna harness with zip-ties, as required.

**Install CGEA module**

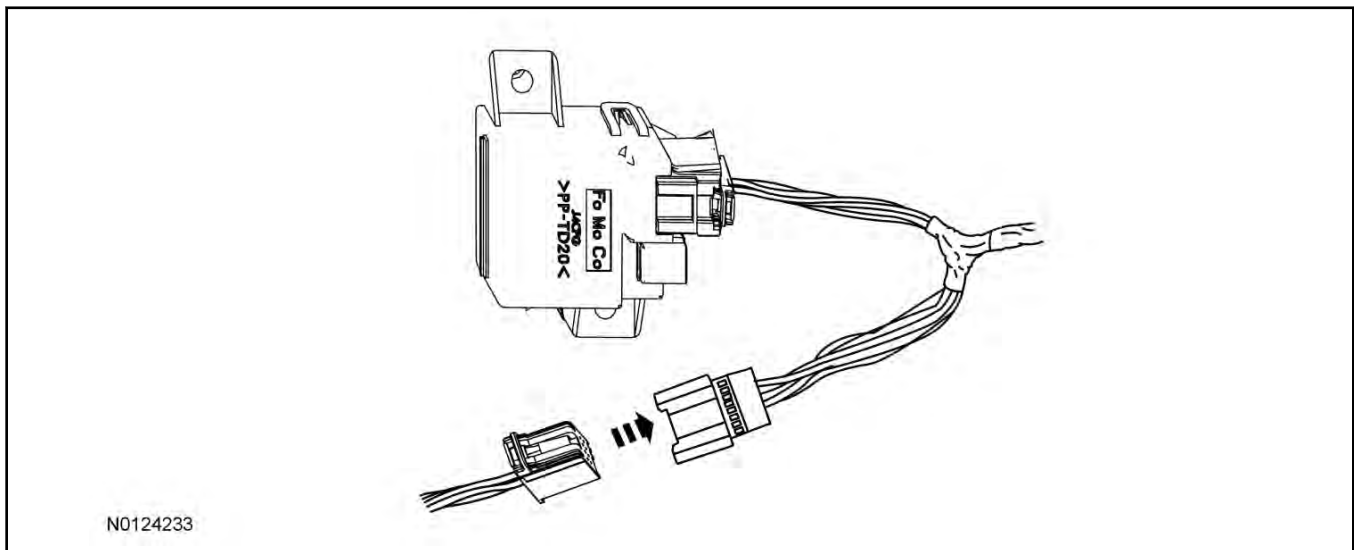
10. Install the CGEA module onto the vehicles body near the driver's side C-pillar, as shown.
  - Secure with the 3M Dual Lock™ strips.



11. Connect the female end of the 8-pin T-harness to the TPM module.

**INSTALLATION (Continued)**

12. Connect the male end of the 8-pin T-harness to the vehicle's existing TPM module harness.

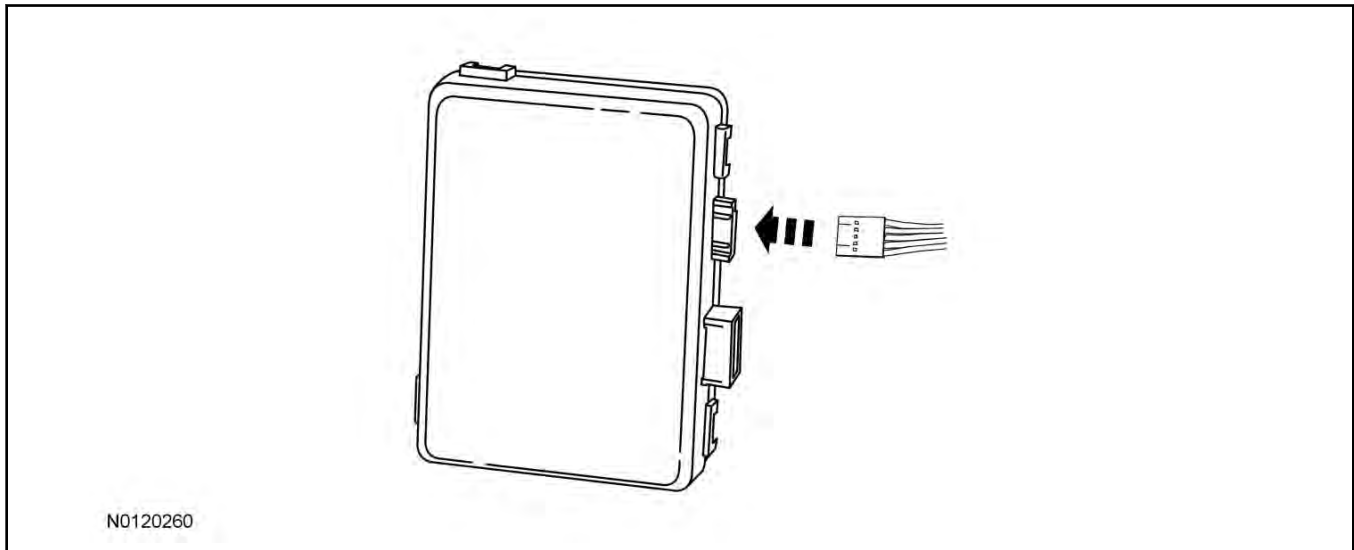


13. Route the T-harness from the TPM module to the CGEA module.

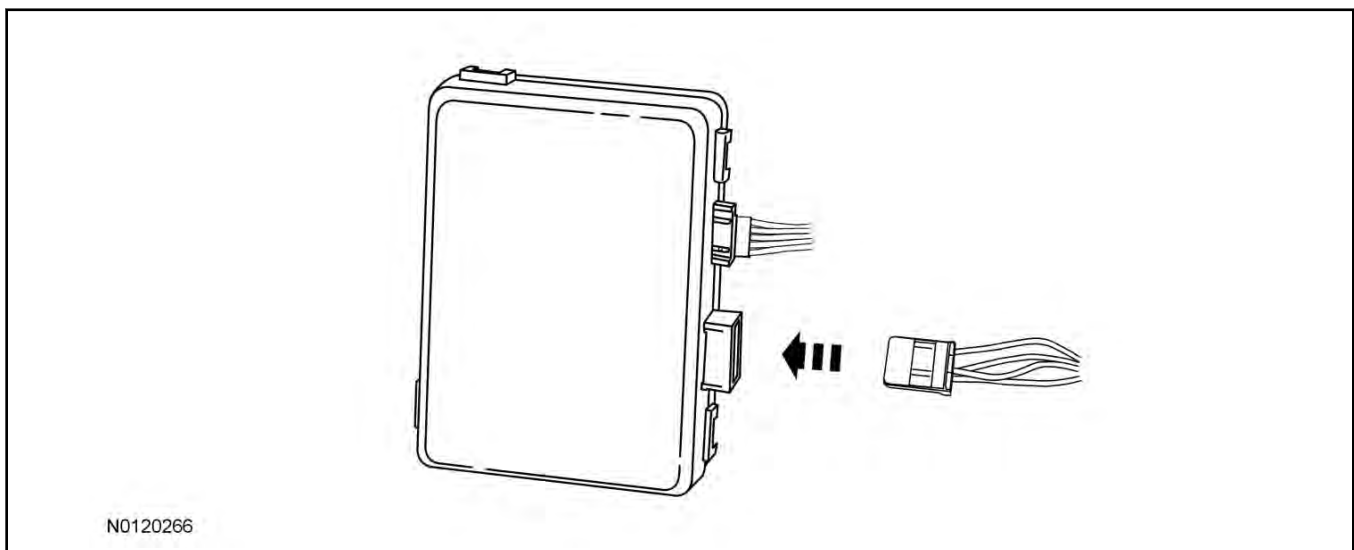
- Secure the T-harness with zip-ties.

14. Connect the antenna to the CGEA module.

- Secure the antenna harness with zip-ties.

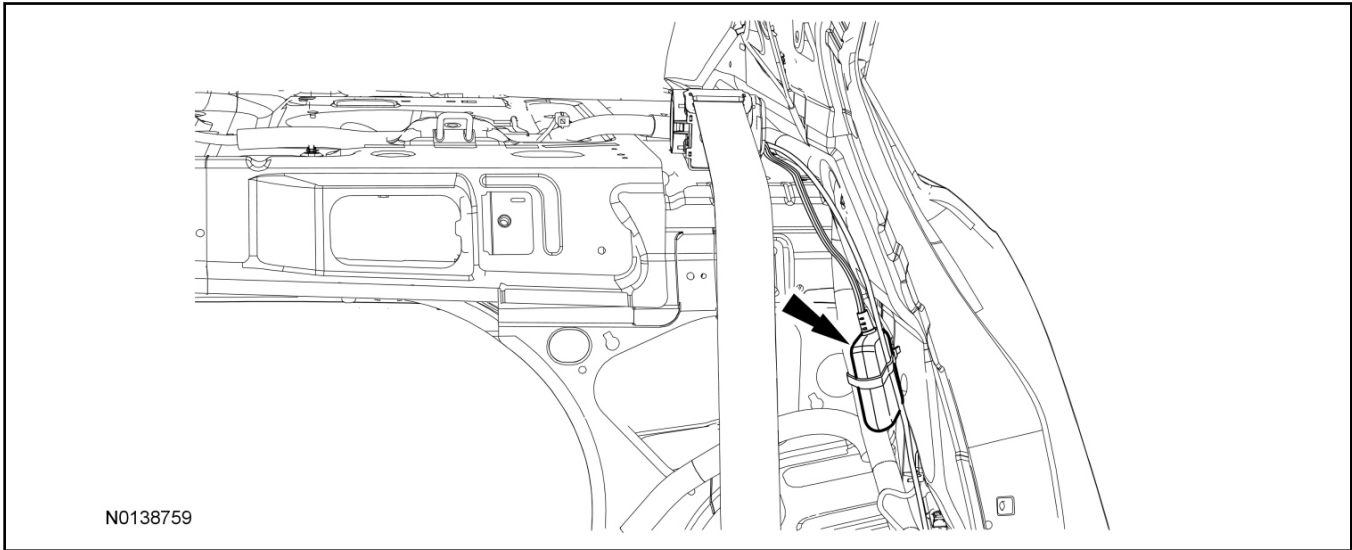
**INSTALLATION (Continued)**

15. Connect the T-harness to the CGEA module.

**Shock Sensor Mounting**

16. Mount the Shock Sensor on the C-pillar wire harness.

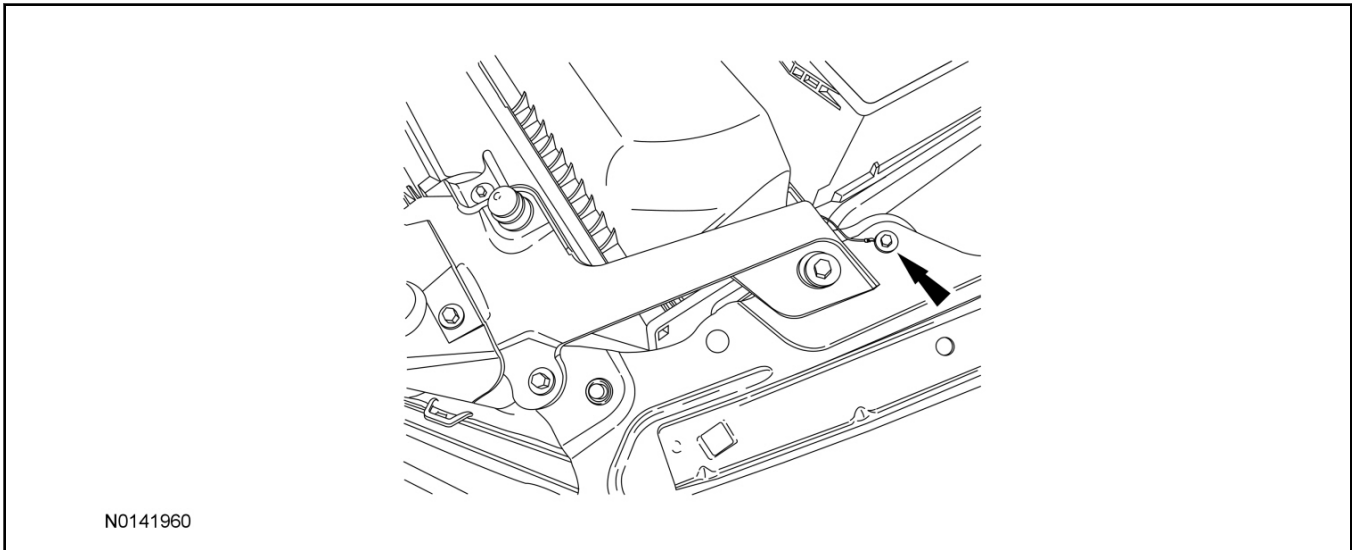
- Secure with zip-ties.

**INSTALLATION (Continued)****Hood Switch Installation****NOTE:**

Hood switch installation is only required if the vehicle is not currently equipped with a hood switch.

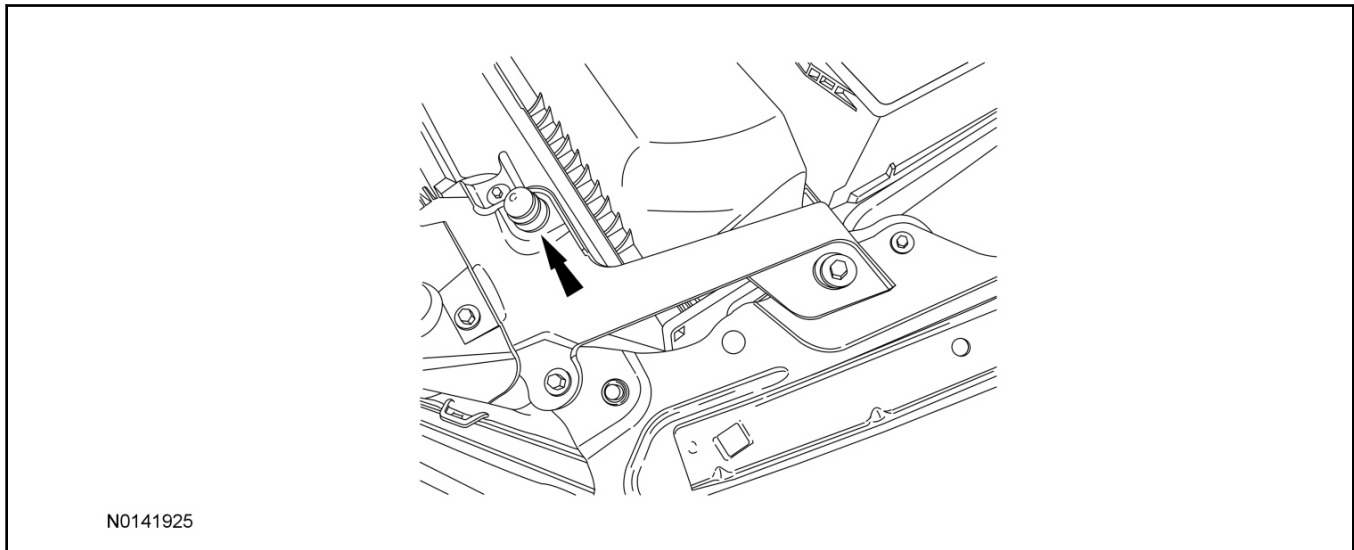
17. Remove the fender bolt and install the hood switch ground wire.

- Tighten to 12 Nm (106 lb-in).



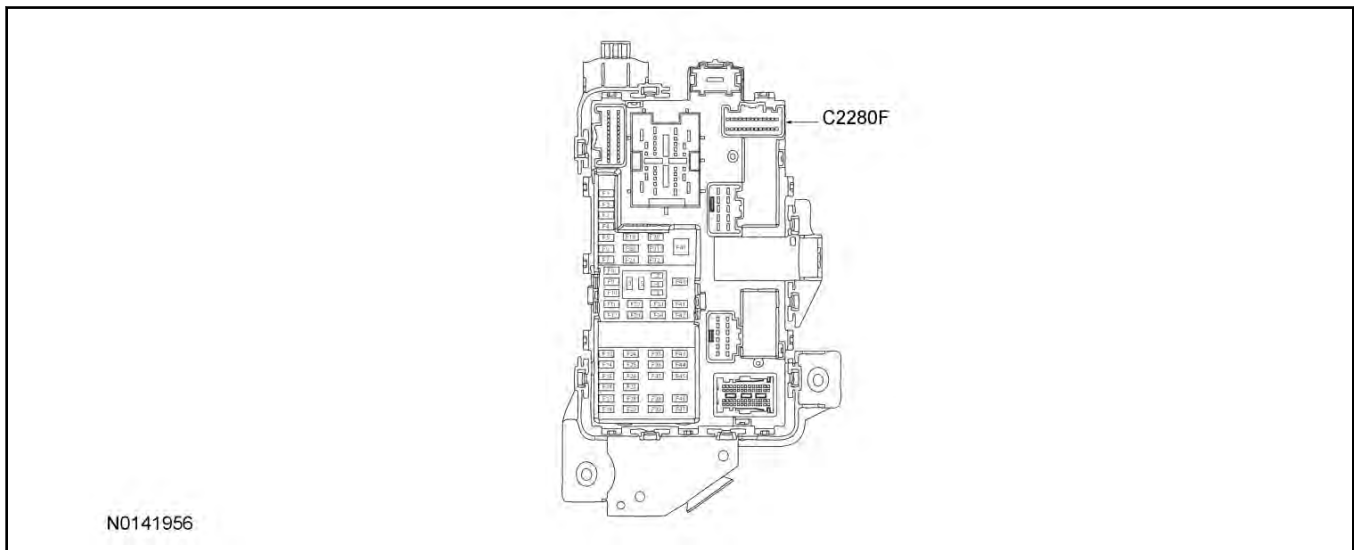
18. Install the hood switch.

- Connect the electrical connector.

**INSTALLATION (Continued)**

N0141925

19. Route the hood switch wire harness into the vehicle through the bulkhead grommet.
  - Secure the hood switch wire harness with zip-ties.
20. Disconnect Body Control Module (BCM) connector C2280F.



N0141956

21. If equipped, remove the pin plug from BCM connector C2280F Pin 2.
  - If the vehicle is not equipped with a hood switch from the factory C2280F will not have a wire at the Pin 2 location.
22. **NOTICE:**  
**Check that the all wire pins are attached firmly and properly positioned/secured within the connector shell, after performing this step.**  
  
 Insert the BCM terminal wire from the hood switch wire harness kit into BCM connector C2280F Pin 2.
  - Some disassembly of BCM connector C2280F may be required to perform this step.
23. Connect BCM connector C2280F.

**INSTALLATION (Continued)**

---

**NOTICE:**

Refer to "Proper Wire Splicing Techniques" before proceeding.

24. Connect the hood switch wire harness wire to the BCM Terminal Wire.

- Secure the wire harness assembly with zip-ties.

**LED Mounting**

25. Route the LED harness to the front of the vehicle.

- Tuck the wire harness under the B-pillar and scuff plate trim panels.  
If necessary detach the scuff plate trim panels In order to tuck the wire harness.

26. Using the following guidelines select a mounting location for the LED on the driver's side of the vehicle.

- Have at least 3/4" clearance behind any trim panel for the wiring harness to be routed.
- Be clearly visible from the driver's side window.
- Do not mount the LED on trim panels that cover air bags.

27. Mount the LED at an appropriate location on the driver's side of the vehicle using the guidelines listed above.

- Drill a 9/32" hole into the selected location, for the LED to mount in.

28. Connect LED to the LED wire harness and secure the with zip-ties.

**Remote Start/Vehicle Security Harness - Programming Button**

29. Use the following guidelines when securing the programming button.

- Secure on the driver's side of the vehicle.
- Must be hidden from view.
- Must be accessible without removing trim.
- Secure with zip-ties.

**Assemble Trim**

30. Install the parcel shelf. For additional information, refer to WSM, Section 501-05.

**Remote Start Activation**

31. Verify that the IDS is updated to the most current version.

32. Connect IDS.

- Follow the prompts to select new vehicle session.
- Enter VIN.

33. Activate the remote start using the IDS.

- Select the Tool Box icon.
- Select Body.
- Select Security.



**INSTALLATION (Continued)**

- Select Remote Start.
  - Verify that the information on the IDS screen is correct and all procedures have been followed.
  - Select Yes. This will enable the remote start function on the vehicle.
34. For vehicles equipped with standard message center, verify that the remote start option now appears.
- Using the Select and Arrow buttons on the steering wheel, select Settings.
  - Select Convenience.
  - Select Remote Start.
  - Select System.
  - Verify that the remote start system is checked.
35. For vehicles equipped with advanced message center, verify that the remote start option now appears.
- Using the Select and Arrow buttons on the steering wheel, select Settings.
  - Select Vehicle Settings.
  - Select Vehicle.
  - Select Remote Start System.
  - Verify that the remote start system is enabled.

**Programming the Panic/Car Finder Button****NOTE:**

Make sure the brake pedal is not depressed during this sequence.

36. Press the vehicle's unlock button located on the driver's door. Make sure all doors are unlocked.
37. Put the key in the ignition.
38. Cycle eight times rapidly (within 10 seconds) between the 1 (OFF/LOCK) position and 3 (ON) position.
- The eighth turn must end in the 3 (ON) position. The doors will lock, then unlock, to confirm that the programming mode has been activated.
39. Wait for 10 seconds and the remote start module will program itself to the system.
- After 20 seconds, you will automatically exit the programming mode. The doors will lock, then unlock, to confirm that the programming mode has been exited.
40. Press and release the Panic/Car Finder button on the remote start keyfob to confirm that the button has been programmed. The vehicle should honk 4-6 times.

**Vehicle Security System Activation**

41. Cycle the vehicle ignition from OFF to ON.
42. Wait 10 seconds.

**INSTALLATION (Continued)**

43. Press and hold the Program Override Button for 3 seconds. The LED will turn ON for 5 seconds. The parking lights will flash, and the horn will honk once to confirm Vehicle Security activation.
44. Turn OFF the vehicle ignition.

**Functional Test**

45. The Shock Sensor sensitivity setting defaults to maximum sensitivity (fully clockwise). This level can be reduced by turning the knob on the sensor counter clockwise to the desired sensitivity.
  - With the Vehicle Security System armed, a light tap of the Shock Sensor should trigger the warning chirp.
  - With the Vehicle Security System armed, a hard tap of the Shock Sensor should trigger the vehicle panic alarm.

**NOTE:**

Do not put a key in the ignition for the following steps.

46. Make sure the shift lever is in PARK and the ignition is in the OFF position. Remove all keys from the vehicle.
47. Close the hood.
48. Close all of the vehicle doors.
49. Start the vehicle by pressing the remote start button 2 times on the bi-directional key fob.



50. Confirm the remote start works with the vehicle in park and with the hood and doors closed.
51. Enter the vehicle and confirm that the vehicle shuts down when attempting to shift out of park.
52. Open the hood.

**NOTE:**

Vehicle doors should be closed while performing this step.

Confirm that the vehicle will not start with the hood open.

**Please contact Ford Hotline with any issues regarding remote start functionality.**

**Please contact 1-800-FORD-KEY with any issues regarding hardware or kit contents.**